

PACLOCK™



“1000PRO-70” DISC PADLOCK PRO SERIES

PACLOCK's 70mm "Disc Padlock Pro" Series is manufactured to be tough and secure with a stainless steel exterior and welded seams to withstand the elements and 6-pin cylinder technology. With its 9mm diameter shackle design that limits the exposure of the shackle, this lock is less susceptible to bolt cutter attacks and can be used both indoors and out for multiple applications. Perfect for storage units, outside shelters, gates and trucks.

PACLOCK's \$100 "No Key Interchange" Guarantee*:

The 1000PRO-70 "Disc Padlock Pro" lock can only be opened by a key with the same code: If a key with a different code opens this lock, PACLOCK will replace your lock AND give you \$100. Most padlocks have cylinders with only "4-pin" technology, making duplicate keys common. PACLOCK's "6-pin" cylinder technology offers an industry-leading 20,000 unique key changes – a 2,000% increase over standard disc locks on the market.

The 1000PRO-70 "Disc Padlock Pro" lock is made to exclusive Pacific Lock Company specifications in China and each lock is quality tested and packaged in the USA. The lock casing is manufactured with progressive die-stamping technology for consistently superior part tolerance with ultrasonic cleaning to eliminate debris and manufacturing residue.

PACLOCK is committed to American workers – we hire veterans and workers that are disadvantaged or with disabilities. Their efforts have gone into making this product great!

If you have any questions or concerns about our products give us a call at 661.294.3707 / 888.562.5565 (TF) or visit us on the web at www.paclock.com.

| PRODUCT NUMBER | BODY TYPE | DESCRIPTION/SPECIFICATION |
|----------------|-----------------|---------------------------|
| 1000PRO-70 | STAINLESS STEEL | 2-3/4" ROUND |

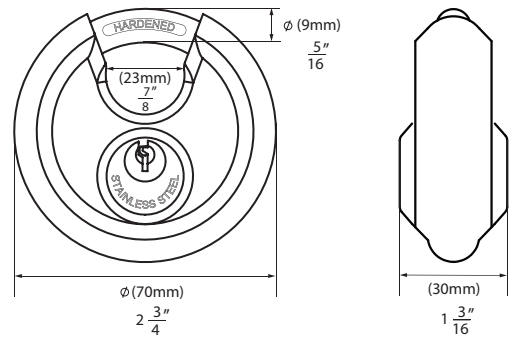
STANDARD FEATURES

- POLISHED STAINLESS STEEL EXTERIOR WITH WELDED SEAMS FOR WEATHER RESISTANCE
- LOCK CASING MANUFACTURED WITH PROGRESSIVE DIE-STAMPING TECHNOLOGY FOR CONSISTANTLY SUPERIOR PART TOLERANCE
- BUMP AND PICK RESISTANT 6-PIN CYLINDER
- 9MM DIAMETER HARDENED STEEL SHACKLE
- 20,000 KEY CHANGES TO AVOID KEY DUPLICATION
- \$100 "NO KEY INTERCHANGE" GUARANTEE (SEE WWW.PACLOCK.COM FOR MORE DETAILS)
- KEYED DIFFERENTLY WITH TWO KEYS

OPTIONAL FEATURES

- KEYED ALIKE
- ADDITIONAL KEYS AVAILABLE

* See www.paclock.com for more details.



FOR SALES: SALES@PACLOCK.COM OR CALL US AT 888.562.5565 FOR MORE INFORMATION, VISIT OUR WEBSITE AT WWW.PACLOCK.COM 25605 HERCULES STREET, VALENCIA, CA 91355

© 2017 PACIFIC LOCK COMPANY ALL RIGHTS RESERVED. ALL TRADEMARKS REMAIN PROPERTY OF THEIR RESPECTIVE HOLDERS.

