

PACLOCK™



“2177” REKEYABLE SERIES

PACLOCK’s ever-growing line of hockey-puck locks offer extreme security with innovative design. Our “2177” Series with its unique cone tip is the perfect example. The cone shape design protects the lock from a frontal attack since the drill tip can’t get a solid footing on the lock surface to drill into the lock.

The “2177” Series is manufactured from solid steel that is precision CNC’d for quality and dependability and then hardened and nickel-plated for extreme toughness and resistance to the elements.

Our “2177” Series hockey-pucks come standard with 6-pin bump and pick resistant cylinders! With our hidden shackle design your shackle is protected from direct access by boltcutters and hacksaws.

Don’t limit what you can protect! PACLOCK provides multiple keying options so that you can give direct access to people you can trust. With multiple keying options available, lockup or lockout heavy equipment, zones, and access points.

Take advantage of our “Your Logo, Your Locks” program and custom engrave your lock with your logo or information.

If you’re looking for the ultimate security, pair your hockey-puck with one of our shrouded hasps! With 1/4” thick steel, you can rest easy knowing that your hockey-puck and hasp are keeping the bad guys out!

If you have any questions or concerns about our products give us a call at 661.294.3707 or visit us on the web at www.paclock.com.

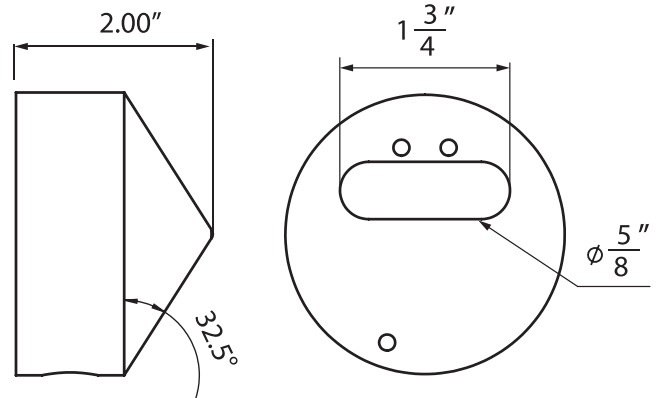
PRODUCT NUMBER	BODY TYPE	DESCRIPTION/SPECIFICATION
2177	HARD. STEEL	2-7/8" ROUND CONE TIP HOCKEY-PUCK

STANDARD FEATURES

- U.S. MADE WITH GLOBAL COMPONENTS
- DRILL-RESISTANT DESIGN
- MANUFACTURED FROM SOLID STEEL, THEN HARDENED AND NICKEL-PLATED FOR WEATHER RESISTANCE
- BUMP AND PICK RESISTANT 6-PIN CYLINDER
- KEYED DIFFERENTLY WITH TWO KEYS
- KEYS DIRECTLY INTO AMERICAN LOCK® SYSTEMS
- IMPERVIOUS TO BYPASS ATTACK

OPTIONAL FEATURES

- “2177” SERIES WORKS WITH OUR PL-770 AND PL-775 SHROUDED HASPS
- KEYED ALIKE
- MASTER KEYED
- GRANDMASTER KEYED
- RESTRICTED KEYWAYS
- KEY RETAINING
- ADDITIONAL KEYS



FOR SALES: SALES@PACLOCK.COM OR CALL US AT 888.562.5565
FOR MORE INFORMATION, VISIT OUR WEBSITE AT WWW.PACLOCK.COM
25605 HERCULES STREET, VALENCIA, CA 91355

© 2017 PACIFIC LOCK COMPANY ALL RIGHTS RESERVED.
ALL TRADEMARKS REMAIN PROPERTY OF THEIR RESPECTIVE HOLDERS.

