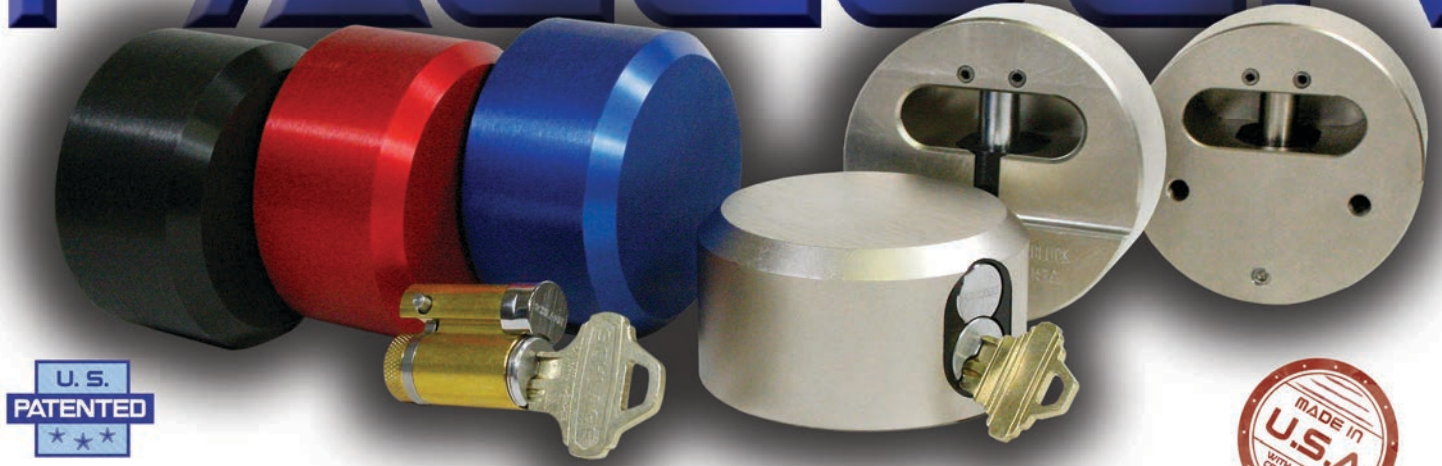


# PACLOCK™



\*CYLINDER NOT INCLUDED

## FSIC COMPATIBLE HOCKEY-PUCK SERIES

The Hockey-Puck padlock is the locking mechanism of the future! PACLOCK's "FSIC" Shackleless Series padlocks offer extreme security with its hidden shackle design protected by a solid body of material. Our patented sleeved design allows PACLOCK to offer compatibilities never before seen.

Yes, you can put your Schlage® Full-Size Interchangeable Core into a hockey-puck! No other manufacturer in the world has this capability. Now you can leverage your existing Schlage® keying systems with a hockey-puck padlock.

Unlike any other manufacturer, our hockey-pucks are precision CNC'd in the United States for quality and dependability. The hardened steel bodies are manufactured from cold rolled steel that is then hardened and electroless nickel plated for extreme toughness and resistance to the elements. Our aluminum pucks are machined from solid 6061 Aircraft Grade Aluminum and then anodized to one of ten available colors.

PACLOCK is leading the industry with new, innovative shrouded hasps that allow the end user to leverage the inherent strength and durability of this design. These hasps are 1/4" thick steel and are zinc plated for increased resistance to corrosion. If you're looking for the ultimate security, pair your hockey-puck with one of our shrouded hasps.

With only one moving part, PACLOCK's hockey-puck lock lacks the environmental vulnerabilities that traditional, shackled padlocks have. Even after years of exposure to the elements, this lock will still function!

Take advantage of "Your Logo, Your Locks"™ program and custom engrave your lock with your logo or information.

"FSIC-2170" Series  
Aluminum Body



"FSIC-2171" Series  
Hardened Steel Body



FOR MORE INFORMATION ON OUR PRODUCTS VISIT US ON THE WEB AT [WWW.PACLOCK.COM](http://WWW.PACLOCK.COM) OR GIVE US A CALL AT 888.562.5565  
25605 HERCULES STREET, VALENCIA, CA 91355

© 2017 PACIFIC LOCK COMPANY ALL RIGHTS RESERVED  
ALL TRADEMARKS REMAIN PROPERTY OF THEIR RESPECTIVE HOLDERS.

### "FSIC-400" Series

This series has a "stepped back" cut-out for fitment to bar-style hasps.

### "FSIC-2170" & "FSIC-2170A" Series

This series has a flatback for using with shrouded hasps including PACLOCK's PL770 & PL775 hasps.

### "FSIC-2171" & "FSIC-2171A" Series

This Series has a flatback for shrouded hasps in addition to two tapped holes on the back specifically designed to use with our PL770 or PL775 shrouded "Super Hasps." This allows the hockey-puck to stay connected to the hasp when opened for added convenience.

### "FSIC-2172" & "FSIC-2172A" Series

This Series is specially designed to attach to the American Lock brand of the "801" hasp.

### Custom Built Solutions

PACLOCK works with its customers to develop and manufacture custom hockey-pucks. We can make the puck taller, with a deeper slot, a more narrow slot, tapped holes in the back, or virtually anything else you can think of doing to a 2-7/8" round piece of bar stock! Just give us a call.

If you have any questions or concerns about our products give us a call at 661.294.3707 or visit us on the web at [www.paclock.com](http://www.paclock.com).



# FSIC<sup>®</sup> COMPATIBLE HOCKEY-PUCK SERIES

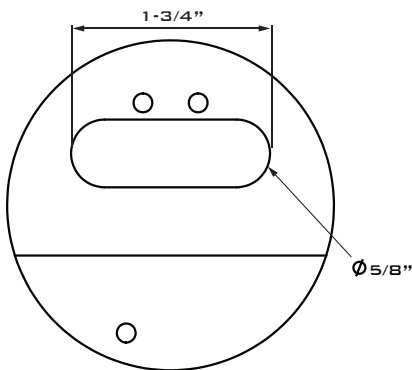
PRODUCT NUMBER	BODY TYPE	DESCRIPTION/SPECIFICATION
FSIC-400	HARD. STEEL	2-7/8" 1/4" STEPPED-BACK HOCKEY PUCK
FSIC-2170A	ALUM.	2-7/8" FLAT-BACK HOCKEY PUCK
FSIC-2170	HARD. STEEL	2-7/8" FLAT-BACK HOCKEY PUCK
FSIC-2171A	ALUM.	2-7/8" FLAT-BACK HOCKEY PUCK/MOUNTING HOLES
FSIC-2171	HARD. STEEL	2-7/8" FLAT-BACK HOCKEY PUCK/MOUNTING HOLES
FSIC-2172A	ALUM.	2-7/8" FLAT-BACK HOCKEY PUCK/MOUNTING HOLES
FSIC-2172	HARD. STEEL	2-7/8" FLAT-BACK HOCKEY PUCK/MOUNTING HOLES

## STANDARD FEATURES

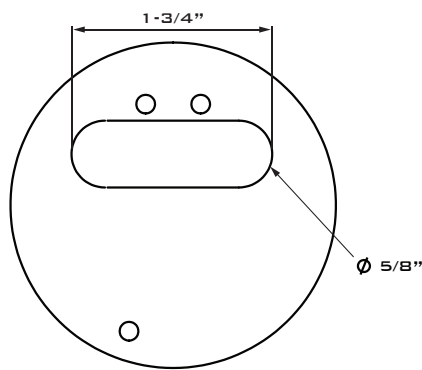
- U.S. MADE WITH GLOBAL COMPONENTS
- WORKS WITH YOUR SCHLAGE FSIC CYLINDERS
- HIDDEN SHACKLE DESIGN FOR OPTIMUM SECURITY
- 10 COLORS AVAILABLE WITH ALUMINUM LOCKS
- ELECTROLESS NICKEL PLATED, HARDENED STEEL
- U.S. PATENT 8,776,557

## OPTIONAL FEATURES

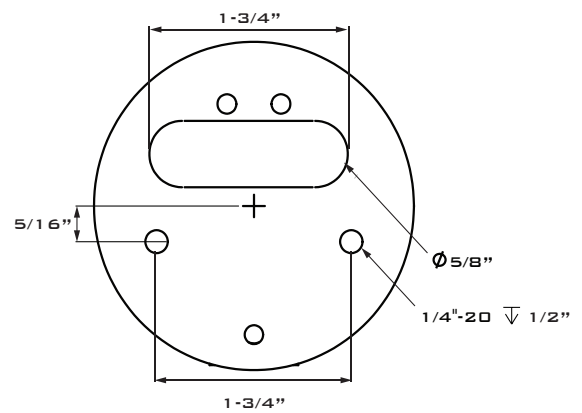
- TAKE ADVANTAGE OF "YOUR LOGO, YOUR LOCKS"<sup>™</sup> WITH CUSTOM ENGRAVING



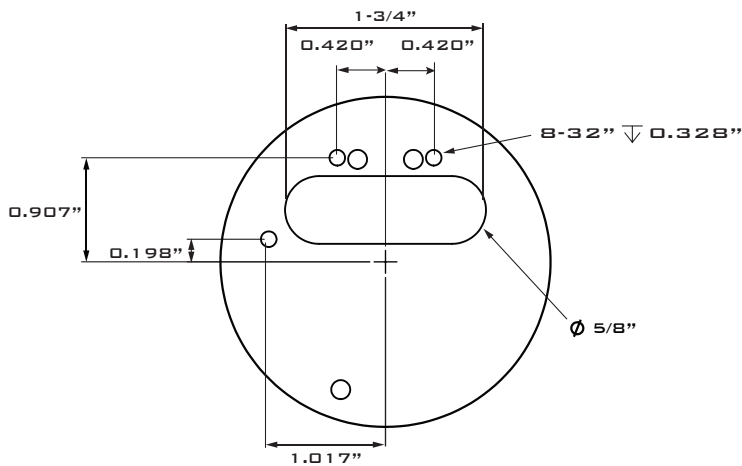
"FSIC-400"



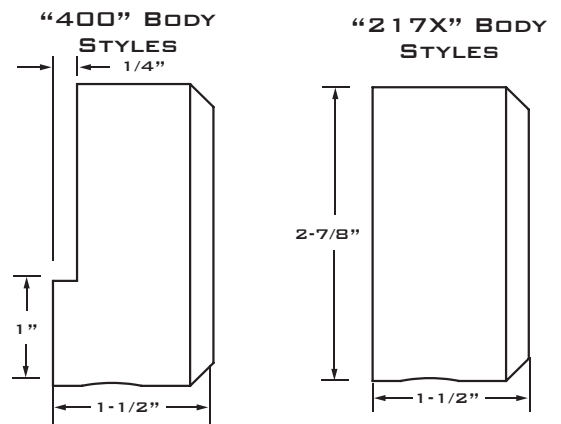
"FSIC-2170"  
"FSIC-2170A"



"FSIC-2171"  
"FSIC-2171A"



"FSIC-2172"  
"FSIC-2172A"



STEPPED BACK V.S. FLAT BACK

FOR MORE INFORMATION ON OUR PRODUCTS VISIT US ON THE WEB AT [WWW.PACLOCK.COM](http://WWW.PACLOCK.COM) OR GIVE US A CALL AT 888.562.5565  
25605 HERCULES STREET, VALENCIA, CA 91355

© 2017 PACIFIC LOCK COMPANY ALL RIGHTS RESERVED  
ALL TRADEMARKS REMAIN PROPERTY OF THEIR RESPECTIVE HOLDERS.

