

# PACLOCK™



\*CYLINDER NOT INCLUDED



## KIK COMPATIBLE HOCKEY-PUCK SERIES

The Hockey-Puck padlock is the locking mechanism of the future! PACLOCK's Hockey-Puck Series offers extreme security with its hidden shackle design and solid, hardened steel or 6061 Aircraft Grade Aluminum body style. Our patented Series hockey-pucks are precision CNC'd for quality and dependability and work with high security key-in-knob cylinders from Medeco®, ASSA®, Schlage® and many others. Or simply use your standard Kwikset® house cylinders in these padlocks ~ either way, it's your option!

These hockey-pucks are precision CNC'd for quality and dependability. With our hidden shackle design your lock is protected from direct access by boltcutters and hacksaws. If ultra high security is the goal, then our hardened steel bodies are the right choice! PACLOCK's aluminum hockey-pucks provide high security in a weather resistant package and at a more attractive price point!

With only one moving part, PACLOCK's puck lock lacks the environmental vulnerabilities that traditional, shackled padlocks have. Even after years of exposure to the elements, this lock will still function!

Take advantage of "Your Logo, Your Locks"™ program and custom engrave your lock with your logo or information.

If you're looking for the ultimate security, pair your hockey puck with one of our shrouded hasps! With 1/4" thick steel, you can rest easy knowing that your hockey puck and hasp are keeping the bad guys out!

Don't limit what you can protect! PACLOCK provides multiple keying options so that you can give direct access to people you can trust. With multiple keying options available, lockup or lockout heavy equipment, zones, and access points.

Take advantage of "Your Logo, Your Locks"™ program and custom engrave your lock with your logo or information.

### "KiK-400" Series

This series has a "stepped back" cut-out for fitment to bar-style hasps.

### "KiK-2170" & "KiK-2170A" Series

This series has a flatback for using with shrouded hasps including PACLOCK's PL770 & PL775 hasps.

### "KiK-2171" & "KiK-2171A" Series

This Series has a flatback for shrouded hasps in addition to two tapped holes on the back specifically designed to use with our PL770 or PL775 shrouded "Super Hasps." This allows the hockey-puck to stay connected to the hasp when opened for added convenience.

### "KiK-2172" & "KiK-2172A" Series

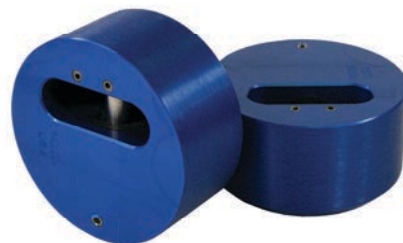
This Series is specially designed to attach to the American Lock brand of the "801" hasp.

### Custom Built Solutions

PACLOCK works with its customers to develop and manufacture custom hockey-pucks. We can make the puck taller, with a deeper slot, a more narrow slot, tapped holes in the back, or virtually anything else you can think of doing to a 2-7/8" round piece of bar stock! Just give us a call.

If you have any questions or concerns about our products give us a call at 661.294.3707 or visit us on the web at [www.paclock.com](http://www.paclock.com).

"KiK-400" Series  
Hardened Steel Body



"KiK-2170A" Series  
Aluminum Body

FOR MORE INFORMATION ON OUR PRODUCTS VISIT US ON THE WEB AT [WWW.PACLOCK.COM](http://WWW.PACLOCK.COM) OR GIVE US A CALL AT 888.562.5565  
25605 HERCULES STREET, VALENCIA, CA 91355

© 2017 PACIFIC LOCK COMPANY ALL RIGHTS RESERVED  
ALL TRADEMARKS REMAIN PROPERTY OF THEIR RESPECTIVE HOLDERS.



# KIK<sup>®</sup> COMPATIBLE HOCKEY-PUCK SERIES

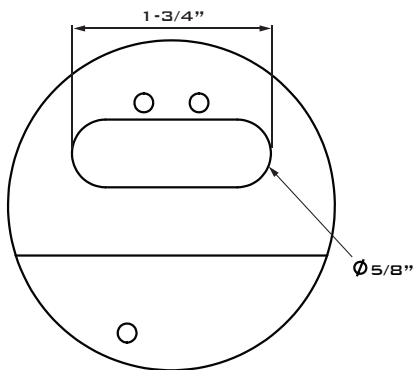
| PRODUCT NUMBER | BODY TYPE   | DESCRIPTION/SPECIFICATION                   |
|----------------|-------------|---|
| KIK-400        | HARD. STEEL | 2-7/8" 1/4" STEPPED-BACK HOCKEY PUCK        |
| KIK-2170A      | ALUMINUM    | 2-7/8" FLAT-BACK HOCKEY PUCK                |
| KIK-2170       | HARD. STEEL | 2-7/8" FLAT-BACK HOCKEY PUCK                |
| KIK-2171A      | ALUMINUM    | 2-7/8" FLAT-BACK HOCKEY PUCK/MOUNTING HOLES |
| KIK-2171       | HARD. STEEL | 2-7/8" FLAT-BACK HOCKEY PUCK/MOUNTING HOLES |
| KIK-2172A      | ALUMINUM    | 2-7/8" FLAT-BACK HOCKEY PUCK/MOUNTING HOLES |
| KIK-2172       | HARD. STEEL | 2-7/8" FLAT-BACK HOCKEY PUCK/MOUNTING HOLES |

## STANDARD FEATURES

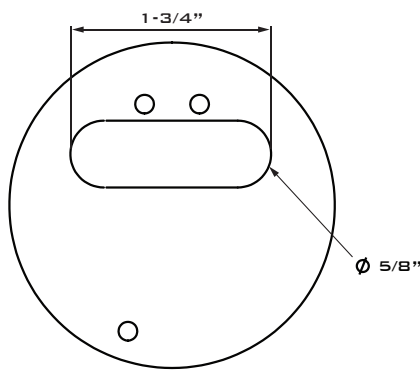
- U.S. MADE WITH GLOBAL COMPONENTS
- WORKS WITH YOUR KEY-IN\_KNOB OR KEY-IN-LEVER CYLINDERS
- HIDDEN SHACKLE DESIGN FOR OPTIMUM SECURITY
- 10 COLORS AVAILABLE WITH ALUMINUM LOCKS
- ELECTROLESS NICKEL PLATED, HARDENED STEEL
- U.S. PATENT 8,978,426

## OPTIONAL FEATURES

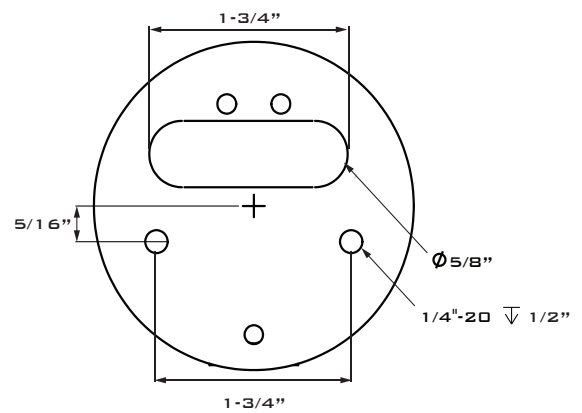
- TAKE ADVANTAGE OF "YOUR LOGO, YOUR LOCKS"<sup>™</sup> WITH CUSTOM ENGRAVING



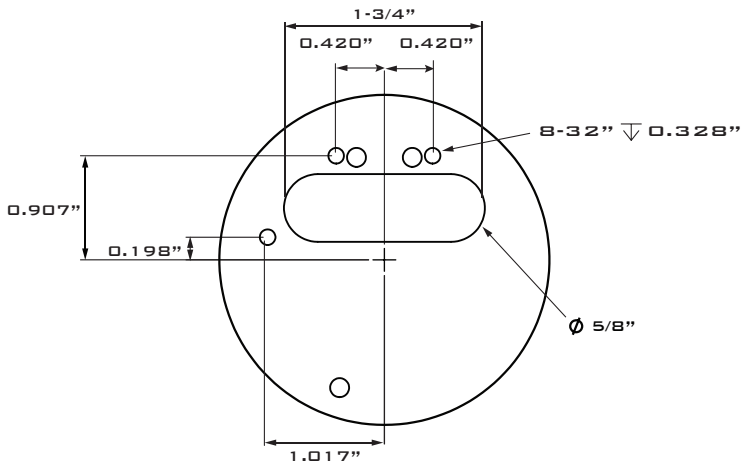
"KIK-400"



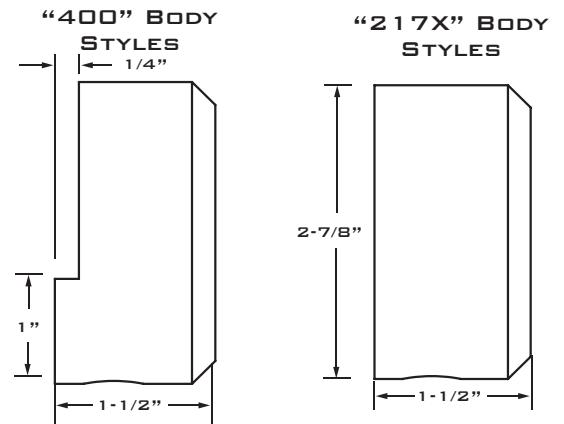
"KIK-2170"  
"KIK-2170A"



"KIK-2171"  
"KIK-2171A"



"KIK-2172"  
"KIK-2172A"



STEPPED BACK V.S. FLAT BACK

FOR MORE INFORMATION ON OUR PRODUCTS VISIT US ON THE WEB AT [WWW.PACLOCK.COM](http://WWW.PACLOCK.COM) OR GIVE US A CALL AT 888.562.5565  
25605 HERCULES STREET, VALENCIA, CA 91355

© 2017 PACIFIC LOCK COMPANY ALL RIGHTS RESERVED  
ALL TRADEMARKS REMAIN PROPERTY OF THEIR RESPECTIVE HOLDERS.

