

PACLOCK™



STANDARD REKEYABLE HOCKEY-PUCK SERIES

PACLOCK's Hockey-Puck Series offers extreme security with either hardened steel or 6061 aircraft grade aluminum body style in one of ten anodized colors. Our "Standard Rekeyable" Hockey-Puck Series Locks have a 6-pin all brass cylinder with pick and bump resistant security pins. This series can be keyed into American Lock's brands of padlocks.

These hockey-pucks are precision CNC'd for quality and dependability. With our hidden shackle design your lock is protected from direct access by boltcutters and hacksaws. If ultra high security is the goal, then our hardened steel bodies are the right choice! PACLOCK's aluminum hockey-pucks provide high security in a weather resistant package and at a more attractive price point!

With only one moving part, PACLOCK's puck lock lacks the environmental vulnerabilities that traditional, shackled padlocks have. Even after years of exposure to the elements, this lock will still function!

Take advantage of "Your Logo, Your Locks"™ program and custom engrave your lock with your logo or information.

If you're looking for the ultimate security, pair your hockey puck with one of our shrouded hasps! With 1/4" thick steel, you can rest easy knowing that your hockey puck and hasp are keeping the bad guys out!

Don't limit what you can protect! PACLOCK provides multiple keying options so that you can give direct access to people you can trust. With multiple keying options available, lockup or lockout heavy equipment, zones, and access points.

"400" & "400A" Series

This series has a "stepped back" cut-out for fitment to bar-style hasps.

"2170" & "2170A" Series

This series has a flatback for using with shrouded hasps including PACLOCK's PL770 & PL775 hasps.

"2171" & "2171A" Series

This Series has a flatback for shrouded hasps in addition to two tapped holes on the back specifically designed to use with our PL770 or PL775 shrouded "Super Hasps." This allows the hockey-puck to stay connected to the hasp when opened for added convenience.

"2172" & "2172A" Series

This Series is specially designed to attach to the American Lock brand of the "801" hasp.

Custom Built Solutions

PACLOCK works with its customers to develop and manufacture custom hockey-pucks. We can make the puck taller, with a deeper slot, a more narrow slot, tapped holes in the back, or virtually anything else you can think of doing to a 2-7/8" round piece of bar stock! Just give us a call.

If you have any questions or concerns about our products give us a call at 661.294.3707 or visit us on the web at www.paclock.com.



"2171A" Series Aluminum Body

"2170A" Series Engraved Body

"2170" Series Hardened Steel Body

FOR MORE INFORMATION ON OUR PRODUCTS VISIT US ON THE WEB AT WWW.PACLOCK.COM OR GIVE US A CALL AT 888.562.5565
25605 HERCULES STREET, VALENCIA, CA 91355

© 2017 PACIFIC LOCK COMPANY ALL RIGHTS RESERVED
ALL TRADEMARKS REMAIN PROPERTY OF THEIR RESPECTIVE HOLDERS.



STANDARD REKEYABLE HOCKEY-PUCK SERIES

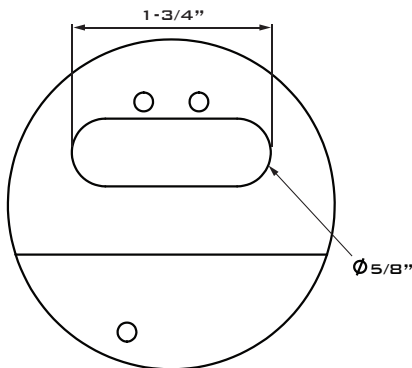
PRODUCT NUMBER	BODY TYPE	DESCRIPTION/SPECIFICATION
400A	ALUMINUM	2-7/8" 1/4" STEPPED-BACK HOCKEY PUCK
400	HARD. STEEL	2-7/8" 1/4" STEPPED-BACK HOCKEY PUCK
2170A	ALUMINUM	2-7/8" FLAT-BACK HOCKEY PUCK
2170	HARD. STEEL	2-7/8" FLAT-BACK HOCKEY PUCK
2171	HARD. STEEL	2-7/8" FLAT-BACK HOCKEY PUCK/MOUNTING HOLES
2171A	ALUMINUM	2-7/8" FLAT-BACK HOCKEY PUCK/MOUNTING HOLES
2172	HARD. STEEL	2-7/8" FLAT-BACK HOCKEY PUCK/MOUNTING HOLES
2172A	ALUMINUM	2-7/8" FLAT-BACK HOCKEY PUCK/MOUNTING HOLES

STANDARD FEATURES

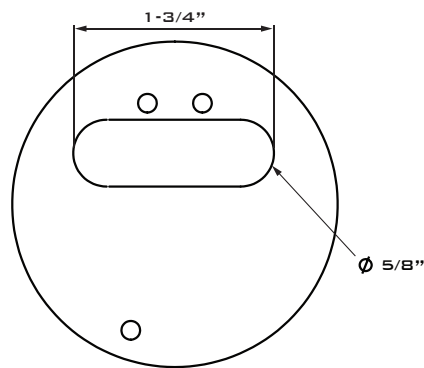
- U.S. MADE WITH GLOBAL COMPONENTS
- BUMP AND PICK RESISTANT 6-PIN CYLINDER
- KEYED DIFFERENTLY WITH TWO KEYS
- KEYS DIRECTLY INTO AMERICAN LOCK® SYSTEMS
- 10 COLORS AVAILABLE WITH ALUMINUM LOCKS
- ELECTROLESS NICKEL PLATED, HARDENED STEEL
- IMPERVIOUS TO BYPASS ATTACK

OPTIONAL FEATURES

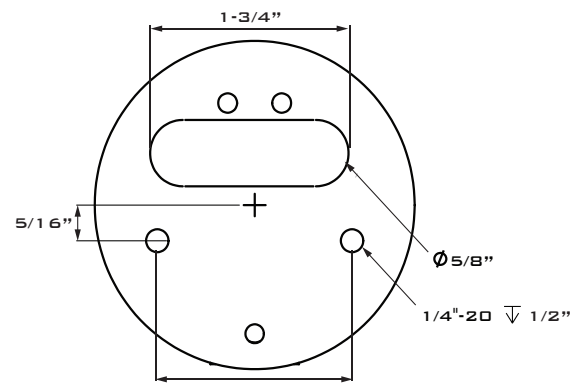
- RESTRICTED KEYWAY
- ADDITIONAL KEYS
- KEYES ALIKE
- MASTER KEYED
- GRANDMASTER KEYED
- TAKE ADVANTAGE OF "YOUR LOGO, YOUR LOCKS"™ WITH CUSTOM ENGRAVING



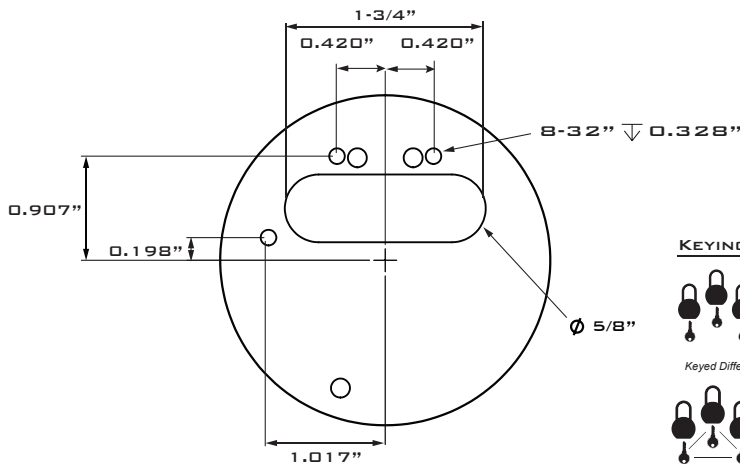
"400"



"2170"
"2170A"

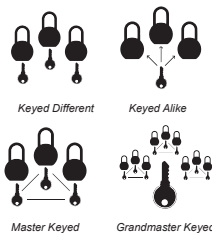


"2171"
"2171A"

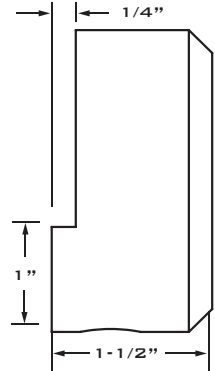


"2172"
"2172A"

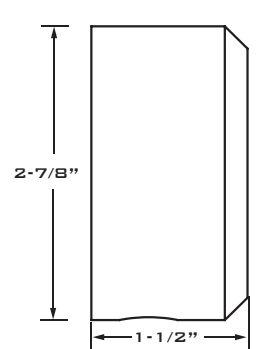
KEYING OPTIONS:



"400" BODY STYLES



"217X" BODY STYLES



STEPPED BACK V.S. FLAT BACK

FOR MORE INFORMATION ON OUR PRODUCTS VISIT US ON THE WEB AT WWW.PACLOCK.COM OR GIVE US A CALL AT 888.562.5565
25605 HERCULES STREET, VALENCIA, CA 91355

© 2017 PACIFIC LOCK COMPANY ALL RIGHTS RESERVED
ALL TRADEMARKS REMAIN PROPERTY OF THEIR RESPECTIVE HOLDERS.

