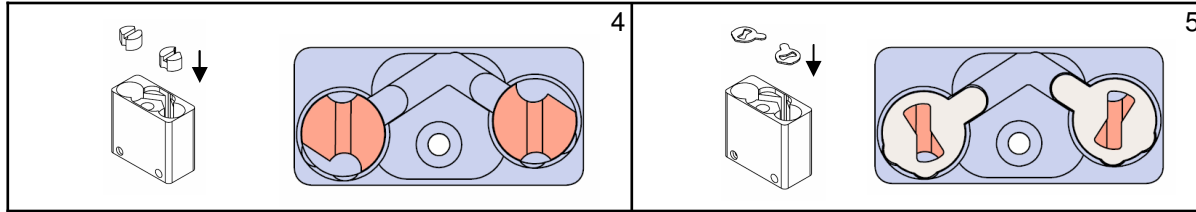


Remove the four **screws** from the bottom and take off the **backplate**.

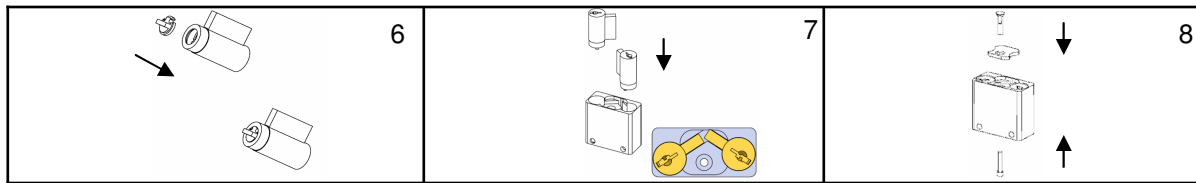
Remove the **lock body** from the **shroud**.

Uninstall the **coverplate** by removing the **security screw** from the bottom of the **lock body**.



Install the **actuators**. Holding the **lock body** so that the security screw hole is closest to you, position the **actuators** so that the larger cut-out is on the left side, and the smaller cut-out is on the right side.

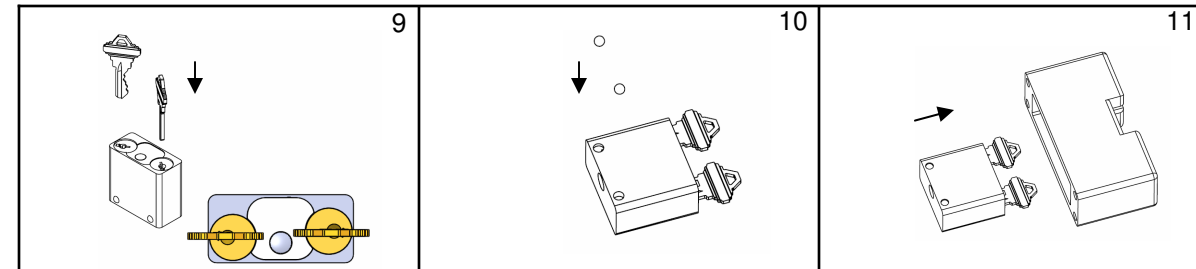
Install the **stoppers**. Position the **stoppers** so that both bumps are facing the front of the **lock body**.



Install the **drivers** onto the back of both **KiK cylinders***

Insert the **KiK cylinders** into the **lock body**.

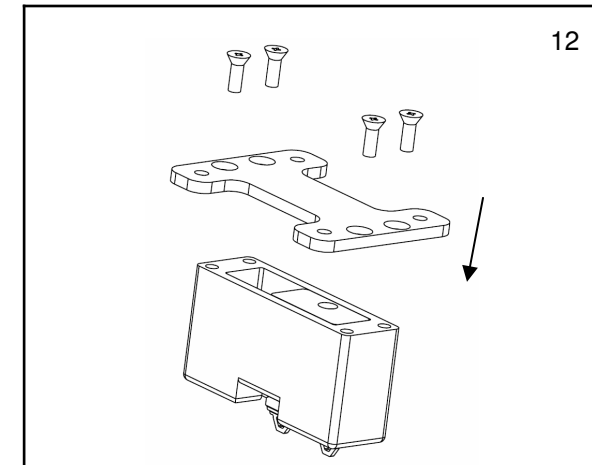
Reinstall the **coverplate** with the **security screw** from the bottom of the **lock body**.



Insert both keys into the **KiK cylinders** and then rotate the keys so that they are both parallel to the front of the **lock body**.

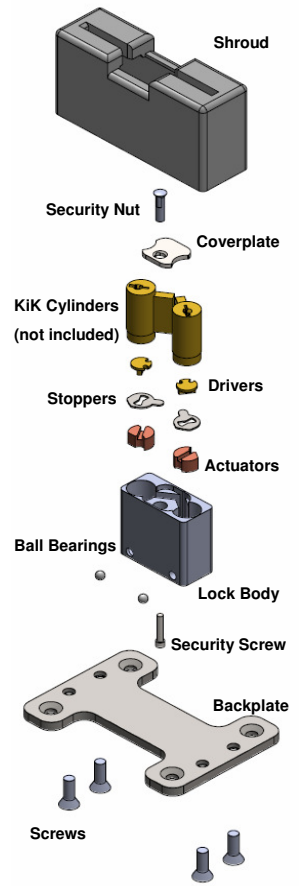
Install the **ball bearings** into the **lock body**.

Install the **lock body** into the **shroud**. Position the **lock body** so that the **ball bearings** are facing up and are aligned with the ball groove inside the **shroud**.



12

Reinstall the **backplate** onto the **shroud** with the four **screws**. Test that the PAC-KEEPER has been assembled correctly. Trap your key by sliding the **lock body** to a side and then remove the exposed key. Reinsert the exposed key and slide the **lock body** to the other side to remove the newly exposed key.



*Note: Three driver styles available. Contact sales for assistance.

