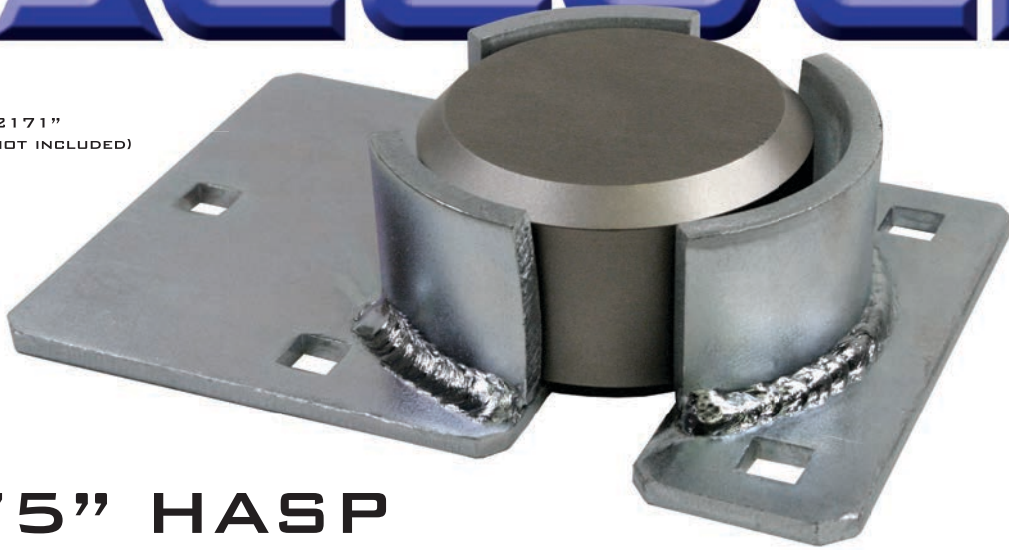


# PACLOCK™

“PL775” HASP WITH “KIK-2171”  
HOCKEY-PUCK LOCK (LOCK NOT INCLUDED)



## “PL775” HASP

**What makes our hasp different?** PACLOCK’s hasp design provides three additional features that increase both security and convenience. First, our hasp is the only one to offer two hidden 5/16” bolt holes that are protected by the padlock itself. Secondly, the “PL775” has the ability to fixably attach the hockey-puck to the hasp so that the user can no longer “lose” the puck while in use. The “PL775” hasp also has one short side that measures 2” x 4.5” – perfect for when space is limited.

While carriage bolts tend to be difficult to defeat, the exposed head makes them susceptible to attack. And given enough time, an intruder can defeat them. But with the “PL775”, there are two additional securing points above and beyond the six traditional carriage bolt locations! So the crook can defeat the six exposed bolts, but then realize that the “PL775” hasp system is still rock solid!

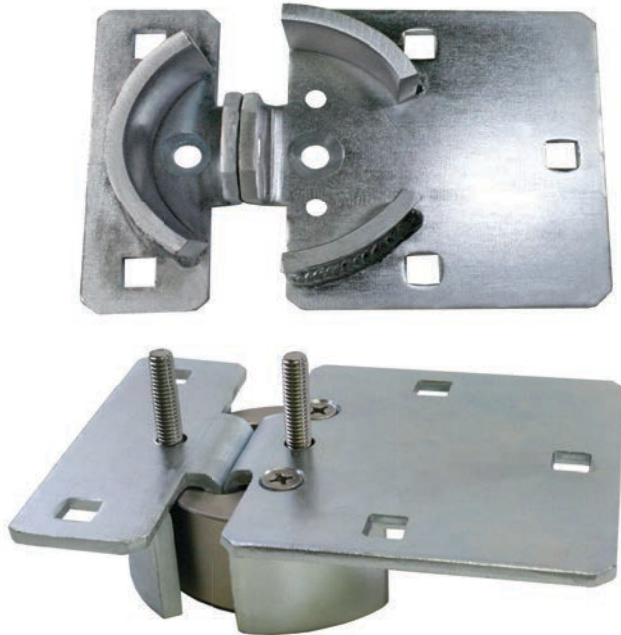
From a convenience perspective, using a shrouded hasp and hockey-puck has always been a bit of a pain. What do you do with the puck once you’ve

unlocked the system? Now, with our “PL775” hasp, you have the opportunity to secure the puck directly to the hasp itself! Compatible with any of PACLOCK’s “2171” Series of hockey-pucks, the “PL775” hasp can be screwed right to the puck with two 1/4”-20 screws (included with our “2171” hockey-puck locks). Now any swing-door type installation can leverage a hasp/puck combo solution without the fear of losing the puck!

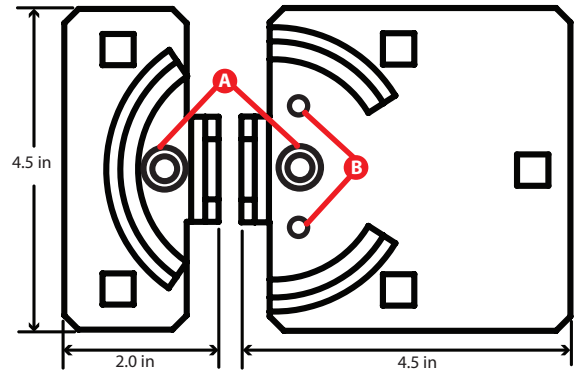
If you add onto that the optional backplates, then you’ll find there is no equal to the “PL775” hasp system. The backplates are designed to work in conjunction with the hasp by reinforcing the installation point on the backside of the door. More strength is always a good idea when it comes to security.

The “PL775” is manufactured from 1/4” thick steel and zinc plated for resistance to the elements.

The “PL775” hasp is ideal for trailers, vans, trucks, doors, and shipping containers when high security is required and door frame space is limited.



BACKSIDE OF “PL775” HASP WITH “2171”  
HOCKEY-PUCK LOCK (LOCK AND MOUNTING  
HARDWARE NOT INCLUDED)



**A** Exclusive to PACLOCK: Hidden 5/16” bolt holes on each base piece for added security when mounting hasp base. Requires (2) 5/16” flat-head bolts, washers and nuts (not included).

**B** Exclusive to PACLOCK: Protected 1/4” screw holes to attach PACLOCK’s “2171” Series hockey-pucklock to base so hockey-puck lock stays affixed to hasp when unlocked.

*Pair the PL775 HASP with a set of backplates for added stability when mounting the hasp.*

FOR MORE INFORMATION ON OUR PRODUCTS VISIT US ON THE WEB AT  
WWW.PACLOCK.COM OR GIVE US A CALL AT 888.562.5565  
25605 HERCULES STREET, VALENCIA, CA 91355

© 2017 PACIFIC LOCK COMPANY ALL RIGHTS RESERVED

